

DATA SHEET

Main properties



Resistance to wind load
Class 2 - 4



Thermal insulation
3.9 W/(m²K)



Water tightness
Class 0

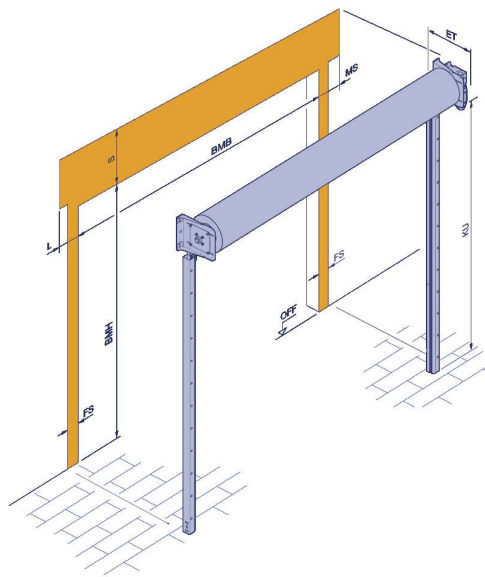


Acoustic rating
18 dB

The values depend on the configuration of the door.

Rolling shutter DD Decotherm S

The profile made of galvanized special steel with barrel-optimised geometry is especially resistant to damage caused by transport, fitting and operation. Lined profile view on interior and exterior, optionally with colour coating in RAL to choose on both sides.



Door size

Width (BMB)	1000 - 12000 mm
Height (BMH)	1000 - 9000 mm

Table of standard values in mm

Door height	2250	2250	9000	9000
Door width	2250	7250	2250	7250
Required headroom (S)	495	495	757	767
Fitting depth (ET)	415	415	633	633

All other guideline values can be found in the valid technical manual or the product configurator.

Product description		
Type	Decotherm S	
Material	Double-skinned steel	
Surfaces without colour coating	Galvanized without protective paint	
Surfaces with colour coating	Exterior and interior with identical colour coating to choose	
Standard colours	RAL 9002, 9006	
Preferred colours	RAL 9016, 9007, 8028, 7016, 6005, 5010, 3000	
Special colours	Possible on request	
Profile height	109 mm	
Curtain weight	Approx. 10.3 kg/m ²	
Fastening options	Concrete, steel, brickwork, timber (see table for details, p. 3)	
Operator / actuation	DD17, DD25, DD30, DD40, DD50, DD65, DD100, DD160	DD180
Max. number of cycles per day (24 h)	75	50

Differences in appearance between two doors may occur for technical reasons.

Equipment		
Break-in resistance	Wind lock	●
	Internal locking	○
	Internal / external locking	○
Security features	Finger trap protection	●
	Side trap guards	○
	Safety catch	●
Side door	Matching the door	○
Window / ventilation	Standard arrangement	○/○
	Logistics arrangement	○/-

● Standard ○ Optional

Performance characteristics	Achievable values		
Resistance to wind load according to EN 12424	Max. door width 6500 mm	Class	4
	Max. door width 8500 mm		3
	Max. door width 12000 mm		2
Thermal insulation Appendix B EN 12428 Door size 4000 × 4000 mm	Individual door section (U = W/(m ² ·K))	W/(m ² ·K)	-
	Fitted (U=W/(m ² ·K))		-
Acoustic rating	Shutter 3.5 × 2 m, fitted (RW = dB)	R [dB]	-
Water tightness according to EN 12425		Class	0

Note: Maximum wind load only for standard rolling shutters without window profiles

Minimum requirements for the building structure

Concrete

Strength class C 20/25
 Thickness 140 mm
 Standard EN 206-1

Steel

Strength class S235-JRG2
 Thickness 5 mm
 Standard EN 10027-1

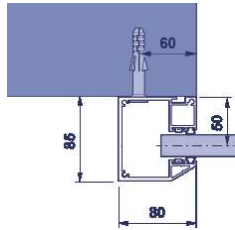
brickwork

Strength class 12 / mortar group II
 Thickness 240 mm
 Standard DIN 1053-1

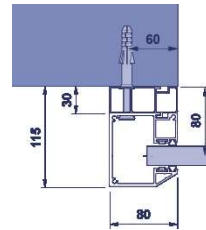
Timber

Coniferous wood: C24 / quality category II
 Thickness 120 mm
 Standard DIN 1052 (EC5)

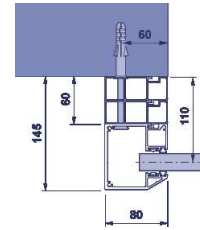
Standard fitting for boom FS 80



Without support profile

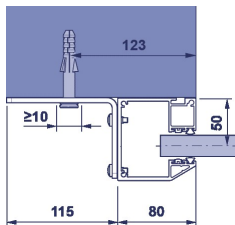


With one support profile

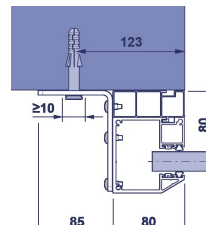


With two support profile

Angle fitting for boom FS 80



Without support profile



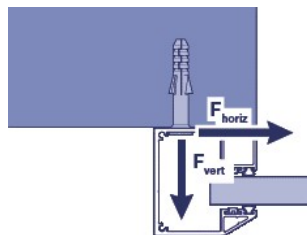
With one support profile

Angle fitting

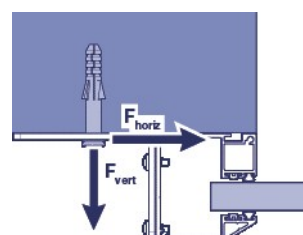
- Optional
- Fitting by welding possible
- Not on brickwork
- Not in combination with equipment package S6

Maximum load at the fixing point - boom FS 80

Standard



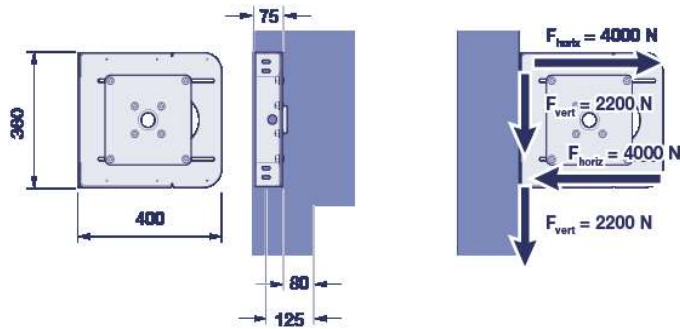
Angle fitting



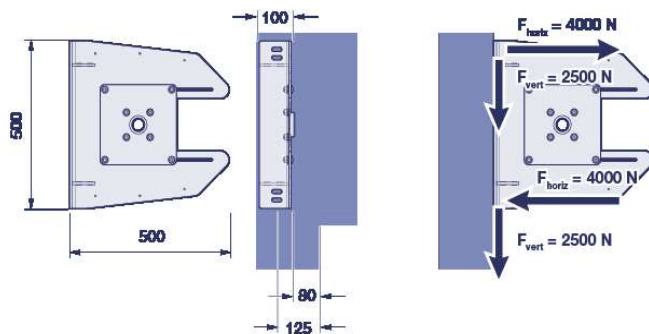
	Door width	
	≤ 5,000 mm	> 5000 mm
q _{horiz} [kN/m]	3,75	10,5
q _{vert} [kN/m]	2,5	3,5

Support bracket / maximum load at the fixing point

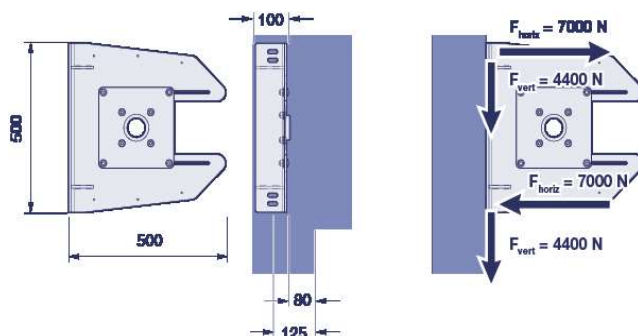
Support bracket 40



Support bracket 40-2



Support bracket 60



The information above, in particular the specifications and illustrations, are not binding and do not constitute an agreement on quality or a guarantee. Changes and errors are expressly reserved. The data sheet is subject to copyright. No part may be reproduced without our prior permission.