

DATA SHEET

Main properties



Dock model



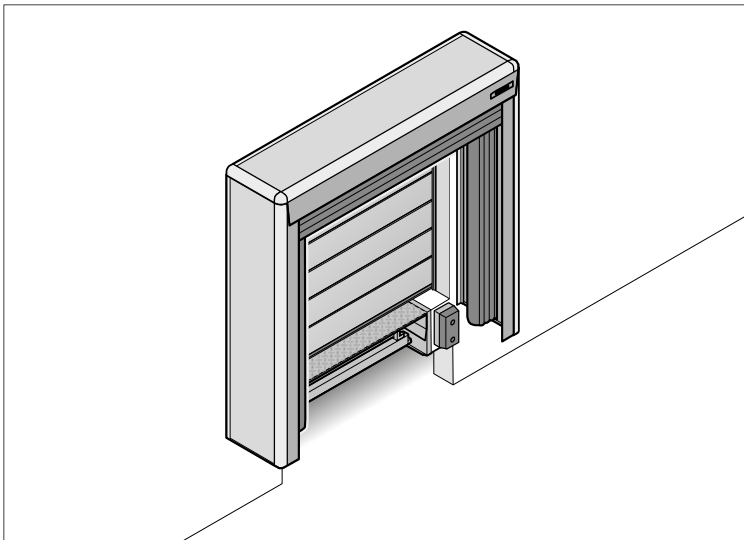
Inflatable cushions



Depth up to 1200 mm

Inflatable dock seal DAS3

Inflatable dock seal as a dock model



Dimensions (mm)		Standard / option							
		● / ○							
Width	Dock seal	3600							
	Top cushion	600	800	1000					
		○	○	○					
Front opening	Home position	3100	3100	3100					
	Working position	2400	2000	1600					
Height	Dock seal	3550							
	Top cushion	800	1000	1200	1400	1600	1800	2000	2200
		○	●	○	○	○	○	○	○
Front opening	Home position	3150	3150	3150	3100	3100	3050	3050	3050
	Working position	2750	2550	2350	2150	1950	1750	1550	1350
Height	Dock seal	3850							
	Top cushion	800	1000	1200	1400	1600	1800	2000	2200
		○	●	○	○	○	○	○	○
Front opening	Home position	3450	3450	3450	3400	3400	3350	3350	3350
	Working position	3050	2850	2650	2450	2250	2050	1850	1650
Depth	Dock seal	850		1200					
			●	○					

Special sizes on request

Design		Standard / option	● / ○
Roof and side construction	Double-skinned steel panels, 20 mm thick, coated, with anodised, rounded aluminium corner profiles		●

Tarpaulin material		Coating	Tensile strength	Tensile strength	Temperature	Weight
			longitudinal / transverse	longitudinal / transverse	min. / max.	DIN
		DIN ISO 2060	DIN ISO 1421 (N / 5 cm)	DIN 53363 (N)	DIN EN 1879-1 (°C)	ISO 2286-2 (g/m ²)
Front strip	With monofilament	On both sides	7000 / 4300	1000 / 650	-30 / +70	3800
Cushions	Inflatable	On both sides	2500 / 2000	340 / 320	-30 / +70	540
	Foam-filled	On both sides	7000 / 600	1050 / 950	-30 / +70	2000

Top and side cushions	Inflatable cushions made of weather-resistant, high-frequency welded UPVC, black, telescopic extending via blower, return to home position via tension cables and counter weight	●
Front strip	Flexible, made of double-layered polyester monofilament thread backing fabric, approx. 3 mm thick, plastic coated in Graphite black, based on RAL 9011	●
Marker stripes	Side front strips with 3 marker stripes each, white	○
Corner seal	Inflatable corner cushions filled with foam	●
	Inflatable corner cushions	○

Blower		Standard / option	● / ○
Connecting voltage	230 V		●
Motor power	0.37 kW		●
Air volume flow	1340 m ³ /h		●
Total inflation time	Approx. 10 seconds		●

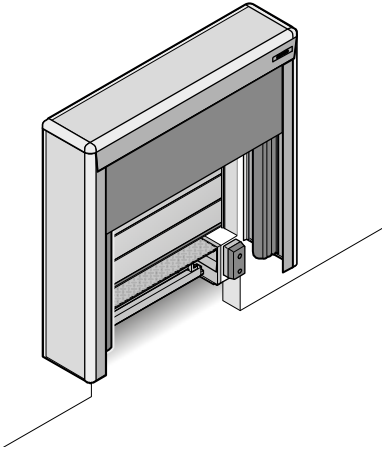
Optional extras		Standard / option	● / ○
Roll-up flap	RCH flap instead of top cushion, black, 2000 mm long, electrically operated, lowering in press-and-hold operation, raising with impulse		○
Roll-up flap	RCP flap instead of top cushion, black, 3000 mm long, electrically operated, follows the lifting and lowering movements of the vehicle thanks to the control, either for connection to control 560 S / T / V or with power supply unit and transformer 24 V		○
Tubular operator, roll-up flap	Connecting voltage	230 V AC (1-phase) / 50 Hz	
	Performance	0.315 kW	
	Nominal power consumption	1.40 A	
	Operating mode	S2, 2 min	
	protection category	IP 44	
Number on top flap	Top front strip with number (0 to 99), approx. 200 mm high, white		○
CPB support bracket	For protection against damage due to moving parts such as lorry doors (for 1200 mm depth as standard)		○
Sealing set	for sealing to the facade, consisting of a preformed gasket and facade putty		○

Fitting

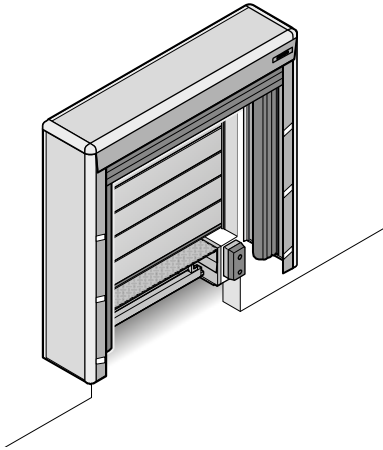
Fitting

Fitting on a sufficiently stable, level, and vertical/flush subsurface, without brickwork, plastering, or concreting. The fitting prerequisites from the manufacturer must be fulfilled!

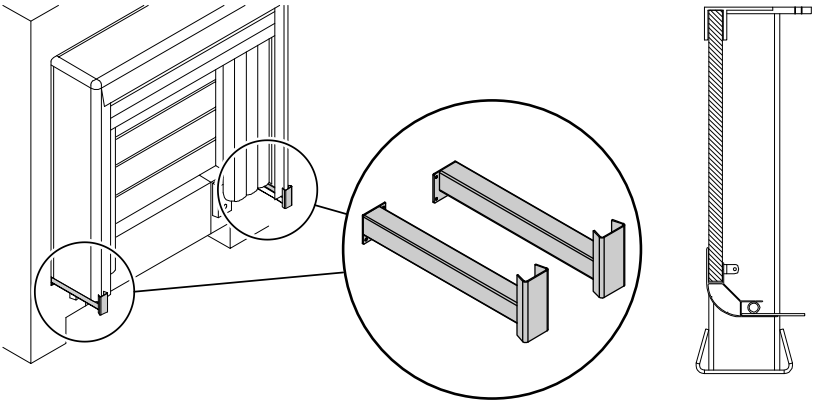
Roll-up flap RCH / RCP in place of top cushion



Front strip with marker stripes



CPB support bracket



The information above, in particular the specifications and illustrations, is not binding and does not constitute an agreement on quality or a guarantee. Changes and errors are expressly reserved. The data sheet is subject to copyright. No part may be reproduced without our prior permission.